

INSTRUCTION MANUAL

LIVE AQUA SERIES MASTER PRO LED LIGHTING



LIFE AQUA

MAXLITE

CONTENT

SAFETY INSTRUCTION.....	1
FEATURE.....	2
SPECIFICATION.....	3
PRODUCT DETAIL.....	4
INSTALLATION.....	5
OPERATION.....	6
MAINTENANCE.....	7

SAFETY INSTRUCTION

General

1. Do not use this product in any manner not specified by the manufacturer.
2. Do not install substitute parts or perform any unauthorized modification to the product.
3. Do not attempt to disassemble the product.
4. Return the product to a MaxLite Engineering Sales and Service Office for service and repair.
5. MaxLite Engineering will not be responsible for damage to the product, nor to repair the product, resulting from such causes as an improper installation, or use, or modification of the product, or connecting to an incompatible power supply, or the product is serviced by another company.

Power supply

1. Only use original power supply of the product. Use of any other power supply may cause damage to the product, this product cannot be use on dimmer.
2. The power supply is provided with a grounding-type power cord set. The ground pin of the cord set plug must be firmly connected to the electrical ground (safety ground) terminal at the power outlet.
3. Do not damage the power cable insulation. Damaged insulation can result in a short circuit, electrical shock and/or fire.
4. Do not forcefully bend, twist or pull the power cable. This can cause damage to the power cable and may result in fire or electrical shock.
5. Immediately stop using this product if power cable is damaged.
6. The power supply is conventional cooled. Do not place any heat insulating materials over the power supply, heat will build up and result in fire or damage of the power supply.

Installation & Operation

1. This product is a pendant type light fixture for an aquarium. The product is intended to be hung from ceiling or the light stand (optional) of this product.
2. Consult a contractor before hanging the product with hook from ceiling. Ensure both the hook and ceiling are strong enough for the weight of the product (5kg).
3. This product is for indoor use only.
4. Do not operate this product in the presence of flammable liquids or vapors.
5. The product is conventional cooled and is designed to operate at room temperature between 0 and 35°C.
6. The product is water proof IP65 or higher designed including AC/DC power supply and power cables.

FEATURE

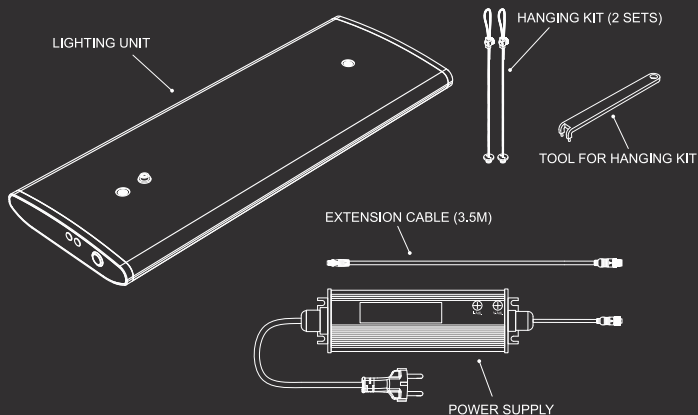
Live Aqua series is a high color rendering LED lighting system, specifically designed for nature planted aquarium. Integrating our professional and unique technologies the RGB LED output are optimized, aquatic plants grow naturally and healthily and their original color are faithfully and perfectly presented. Live Aqua LED lighting leads nature planted aquarium into a higher level.

SPECIFICATION

Model	MXL580-001
Size	Lighting unit: W58× D21.5 × H4.5 (cm) Power unit: W19.6 × D6.3 × H4 (cm)
Weight	Lighting unit: 5 kg Power unit: 1 kg
Adaptor Input voltage	AC 100-240V 50/60 Hz
Power	Approx. 70 W
Illuminance	Approx. 500 - 1750 Lx (For 6 adjustable levels)
Color temperature	7000K +/- 500K
Number of LED light	120 (RGB LED) + 1 (White LED)
LED lifetime	Over 30,000 hours (subject to operating environment)
Ingress protection	IP67

PRODUCT DETAIL

Ensure all parts are included before installation and operation. If any parts are missing or damaged, please contact MaxLite Engineering Sales and Service Office.



INSTALLATION

- I. Refer to Fig.1, make a loop to circulate the stand (optional) with each of the hanging kit, and then adjust the length of the wire according to the height of lighting unit to be installed. Tighten the wire clamp by hand.

Adjust the distance between two hanging kits according to the sleeve nuts of the lighting unit.

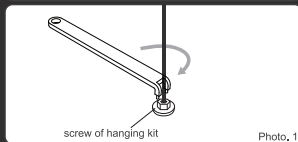
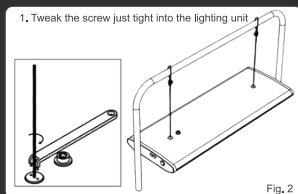
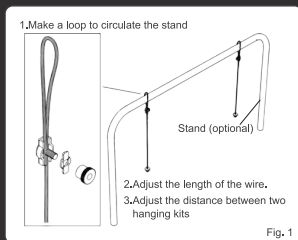
* Be aware the direction of the wire clamp washer.

- II. Refer to Fig.2, Turn clockwise direction the screw of hanging kit into the sleeve nuts of the lighting unit, by using the tool for hanging kit, to hang the lighting unit on the stand (optional).

* Refer to Photo.1, screw of hanging kit should be turned just tight into the sleeve nuts of the lighting unit.

- III. Refer to Fig.3, Connect one end of the extension cable to lighting unit, and the other end to power supply.

- * Ensure the power supply is not connected to the AC mains before connecting the extension cable.
- * Ensure the lighting unit suggested to hang up 30cm above the water surface.



OPERATION

Refer to Fig.4 front panel layout

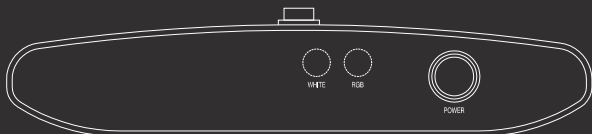


Fig. 4

Power on

I. Connect the power supply to AC mains.

II. Switch on the lighting unit by pressing the power push button.

* Lighting unit will turn on with the last RGB lighting level, no matter to the ripple light effect is on or off.

RGB lighting level

I. Press the RGB push button once to adjust the level.

* Six built-in level can be adjusted.

Ripple light effect

I. Press WHITE button once to turn on ripple light

II. Press RGB button once to turn off ripple light and back to the previous RGB lighting level

MAINTENANCE

(Should be only handled by MaxLite authorized Service team)

- Avoid dust accumulation cover the lighting unit. Use a blower to clean to dust if necessary.
 - Clean surface of lighting unit/diffuser with a damp cloth. Do not use detergent or solvent.
 - Store the lighting unit in a dry place without high temperature heat source when the lighting unit is not in used.
-
- * Power off the lighting unit, wait until it is completely cool down and disconnect the extension power cable before maintenance.
 - * Do not attempt to disassemble the product for maintenance.



MAXLITE

